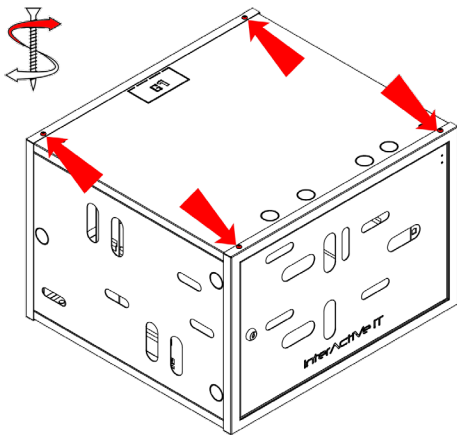


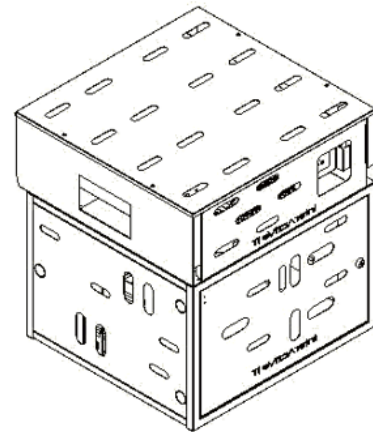


Assembly Instructions
Tools Needed – M5 Allen

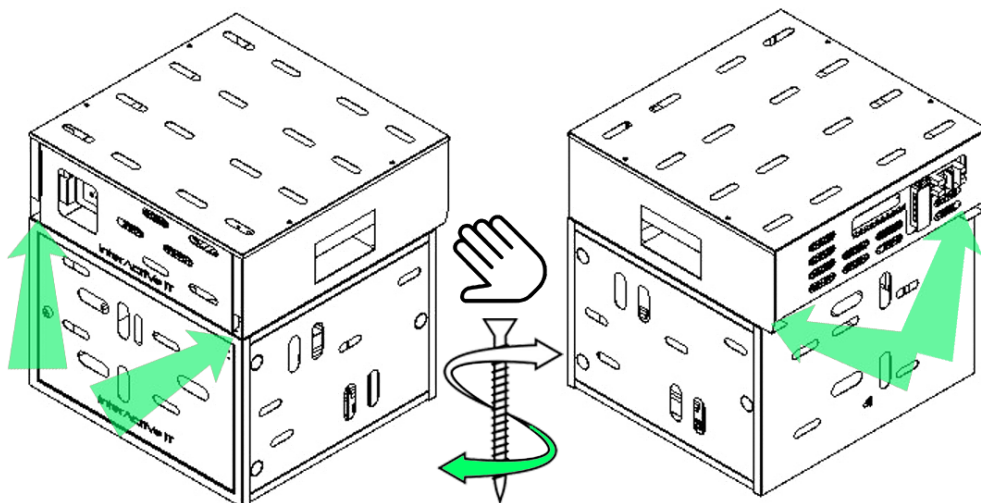
Step 1- Unscrew Top 4 screws



Step 2 - Place the AX35 on top (align holes)

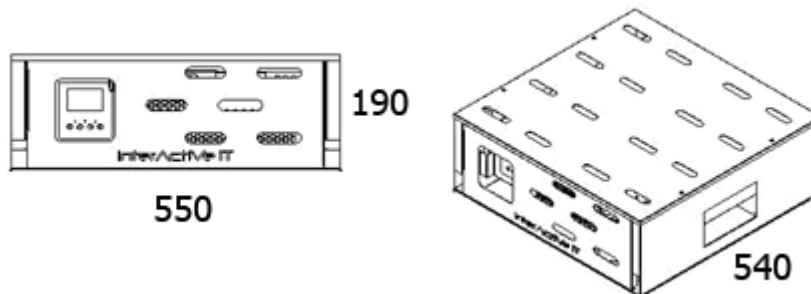


Align the holes with the screws from Step 1 (**Tighten by hand fully**)



Step 3 - Fasten with Allen key.

Dimensions



WARRANTY SERVICE

LIMITED WARRANTY

FOR ONE YEAR from the date of purchase from the supplier, this product is warranted against any defects in material or workmanship.

In the event of a warranty claim, an invoice from the supplier is required, a defective part will be replaced free of charge by the manufacturer.

If a replacement part is unavailable, the product will be replaced with one of equal value.

This warranty does not apply to a product that is damaged or altered through transportation, misuse, abuse, corrosion, accident, neglect, modification or mishandling.

Any damage due to over stacking will not be covered by warranty.

Please send any warranty queries together with a copy of your invoice to

sales@interactiveit.co.za
www.interactiveit.co.za